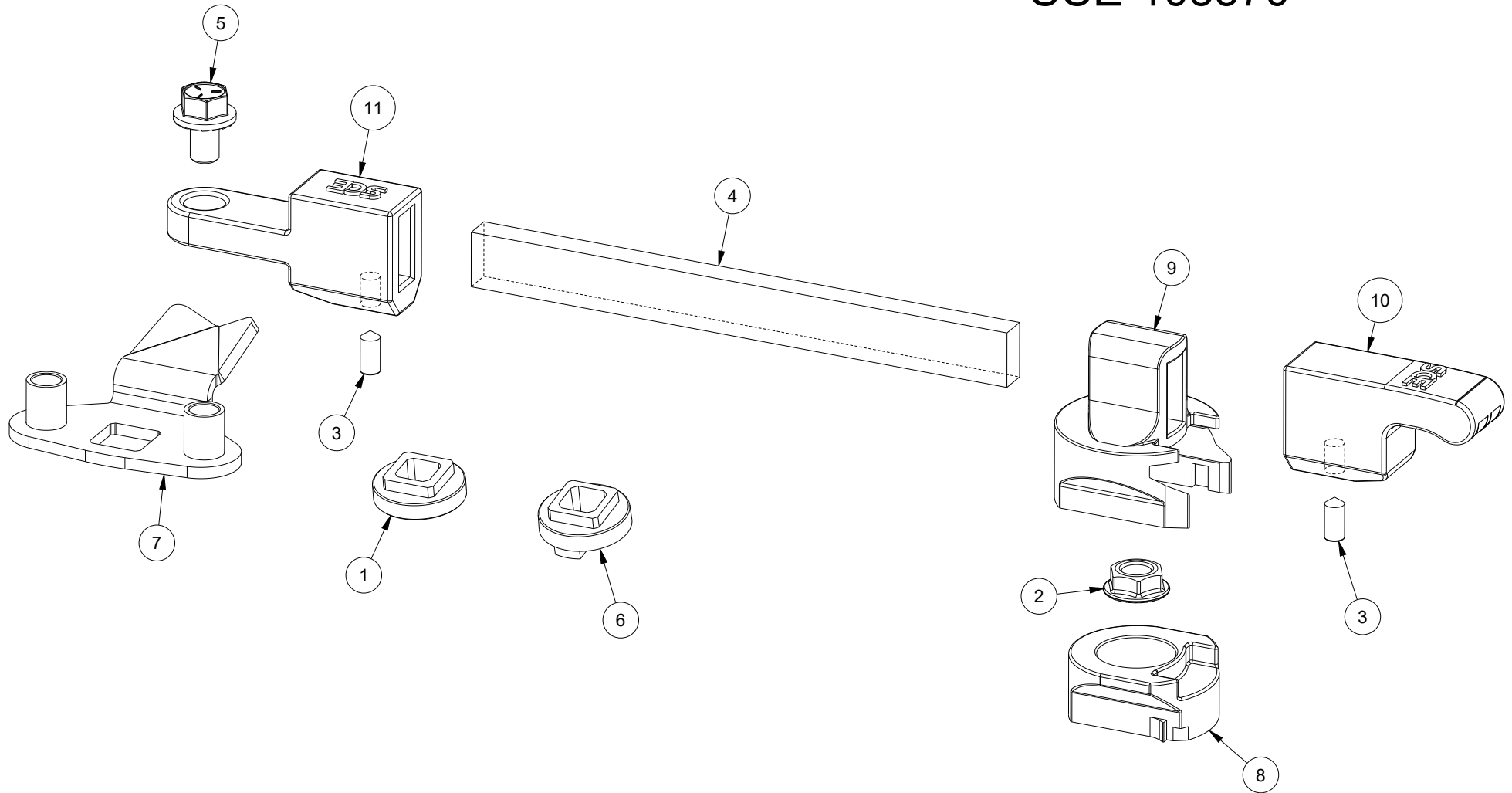


SAGINAW CONTROL & ENGINEERING

SCE-103370



BILL OF MATERIAL

ITEM	SHIPS LOOSE	QTY	PART DESCRIPTION	PART I.D.
1		1	Door Center Adapter, 0.79" x 0.25" x 0.31" Sq, Zinc Clear Plated	100820
2		2	Nut, Serrated Flange, 1/4-20 thread, Steel, Zinc Clear Plated	100882
3		4	Screw, Set, Socket Head, Cone Point, 10-32 x 3/8", Steel, Black	102482
4		2	Flat Bar, Aluminum, 0.25 x 0.500, 6061-T6511, 30.00 in. Door Rod	103562
5		2	Bolt, Hex Head, Serrated Flange, 1/4-20 x 3/8", Steel, Zinc Clear Plated	112504
6		1	Door Center Adapter w/Stop, 0.79" x 0.25" x 0.31" Sq., Zinc Clear Plated	116470
7		1	Cam, 3 Point, Dual, Small Door Center With BSO's, Zinc Clear Plated	128142
8		2	Door Rod Guide Base, 1.58" x 1.15", Reinforced Polyamide 66, Black	128143
9		2	Door Rod Guide, 1.50" x 1.41", Reinforced Polyamide 66, Black	128144
10		2	Door Rod Ramp Shoe, 1.79" x 0.63", Reinforced Polyamide 66, Black	128145
11		2	Door Rod Adapter, 2.22" x 0.63", Reinforced Polyamide 66, Black	128146